



# XP163

## PNEUMATIC ROLLER

### 轮胎压路机

XP163 pneumatic tire roller is self-propelled static roller, which is applicable to compacted asphalt pavement, foundation layer, secondary foundation layer and filling engineering and is the indispensable compaction equipment of road construction and water conservancy construction. In particular, compaction of asphalt surface course of highways can obtain compaction effect that other compaction machinery cannot reach.

XP163轮胎压路机属自行式静作用压路机，适用于压实沥青路面、基础层、次基础层及填方工程等，是道路建设、水利建设等不可缺少的压实设备。尤其对公路的沥青面层的压实能获得其它压实机械无法达到的压实效果。

## Performance Characteristics / 性能特点

- Shanghai SC4H type diesel engine with power of 86KW, speed of 1800r/min, in compliance with China's non road Stage-II emission regulations, greatly improved the fuel economy.
- Pavement layer will be compacted by special pneumatic tire. It will not damage compaction materials. Flexible compacting function of tire can make compaction material obtain dense pavement surface course.
- Ground pressure of the tire can be regulated by decreasing or increasing balance weight and changing inflation pressure of tire to enhance compaction performance and enlarge the scope of application; compacted sandy soil, composite soil and clay soil can obtain good compaction effect to avoid false compaction phenomenon.
- Full hydraulic steering, air-assist hydraulic brake and multi-gear shifting transmission system are utilized, fast and flexible. It is more convenient for transfer between construction sites.
- Front wheel swing mechanism will be adopted. When the roller is working on unlevelled ground, the uniform wheel pressure grounding can be guaranteed and unlevelled part of compacted materials can be compacted uniformly.
- Clutch operation mechanism adopts oil-gas boosting system so that operation is simple and labor-saving; air-pushing oil pressure amplification system makes the brake system safe and reliable.
- The equipment has water spray system as standard that can spray water to the tire surface to effectively prevent asphalt adhesion. Optional intermittent spraying function is available.
- 动力选用上柴SC4H型柴油机，功率86KW，转速1800r/min，排放满足中国非道路II阶段标准，燃油经济性大幅提高。
- 采用特制的充气轮胎对铺层进行压实，对压实材料无破损作用，轮胎的揉压作用能使压实材料获取致密的路面表层。
- 可以通过增减配重和改变轮胎充气压力调节轮胎接地比压，来提高压实性能，扩大其使用范围；对压实砂质土、混合土和粘质土，都能获得良好的压实效果，避免假压现象。
- 采用全液压转向，气助液制动及多档变速传动系统，速度快、机动灵活，更便于工地之间的转移。
- 采用前轮摇摆机构，压路机在不平整地面作业时，保证轮胎接地均匀，使被压实材料的高低不平部分都能得到均匀压实。
- 离合操纵采用油气结合气助力系统，使操纵简便、省力；制动采用气推油压力放大系统，使刹车系统安全可靠。
- 该机标配洒水系统，对轮胎表面喷水可有效防止轮胎粘附沥青。该机可选配间歇洒水功能。

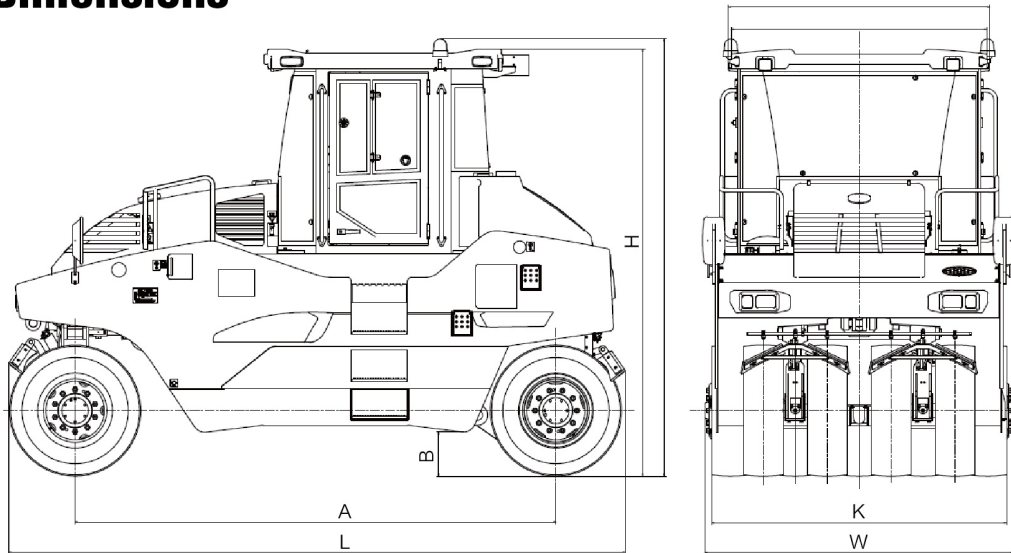
# XP163

# PNEUMATIC ROLLER

轮胎压路机

## Main Dimensions

主要尺寸



Dimension(mm) 尺寸	A	B	H	K	L	W
XP163	3700	260	3330	2250	4800	2356

## Main Specifications

主要技术参数

Item	项目	单位 Unit	XP163	
Maximum operating mass	最大工作质量	kg	16000	
Ground pressure	接地比压	kPa	150~300	
Travel speed	行驶速度	I 速	4	
		II 速	8.3	
		III 速	17.5	
Theoretical gradeability	理论爬坡能力	%	20	
Minimum turning radius	最小转弯半径	mm	7330	
Minimum ground clearance	最小离地间隙	mm	260	
Compaction width	压实宽度	mm	2055	
Overlapped volume of roller	压轮重叠量	mm	45	
Tires	Specification	规格	11.00-20	
	Quantity	数量	前4后5 Front 4 rear 5	
Engine	Type	型号	SC4H115.4G2B	
	Rated power	额定功率	kw	86
	Fuel consumption	油耗	g/kw.h	≤205 (1±5%)
Total length	总长	mm	4800	
Total width	总宽	mm	2356	
Total height	总高	mm	3330	
Diesel tank volume L	燃油箱容积L	L	150	
Water tank volume L	水箱容积L	L	650	





CASE



 [Machmall.com](http://Machmall.com)

Web: [machmall.com](http://machmall.com)

Tel: +86-516 8773 9797

E: [machmall@xcmg.com](mailto:machmall@xcmg.com)






Machmall.com is an electromechanical product platform officially launched by XCMG, aiming to provide global customers with a complete set of high-quality construction machinery solutions and supporting equipment.


Xuzhou Construction Machinery Group Co., Ltd. (XCMG Group), founded in 1943, is the fourth largest worldwide construction machinery manufacturer and the largest in China with products covering 183 countries and regions.

XCMG have 12 complete solutions:Crane lifting,Mining Construction,Earth-moving Solutions,Road Machinery,Concrete Equipment,Tunnel and Underground Space Construction,Mobile Elevating Work Platform (MEWP),Piling and Non-excavation Equipment,Transportation Equipment, Environmental Sanitation Equipment,Firefighting,Safety and Emergency Rescue



 <https://www.machmall.com/>

 [machmall@xcmg.com](mailto:machmall@xcmg.com)

 008618652183963  
86-516 8773 9797